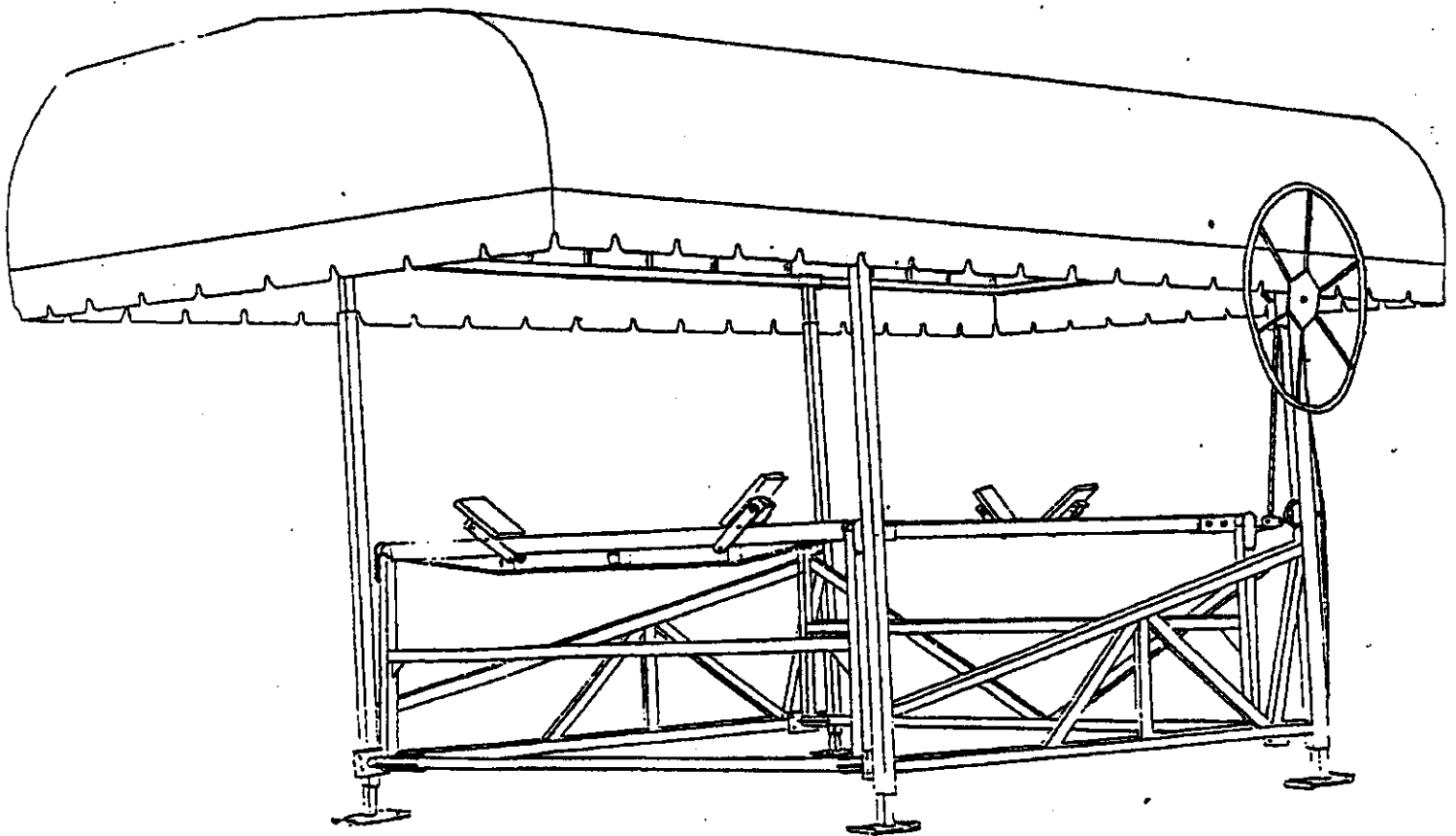


# Wibo

## Assembly Instructions

### For All Size Canopys



# Canopy Precautions

1. When taking out the lift for the winter or for any other reason make sure that you take the canvas cover off the canopy first. This reduces the weight of the lift considerably, making it easier to remove the lift.
2. Remove the canopy if the boat is going to be off the lift for a long period of time. This is so wind does not lift the canopy and lift out of the water in the course of a storm.
3. Remove the canopy cover in the winter to prevent snow build-up and strong winter winds from damaging the lift and canopy.
4. Never climb on or around the canopy frame. The frame is not designed for a large amount of excess weight.
5. Dry off the canopy cover before storing in the winter season and store in a warm dry place.
6. When cleaning the canopy cover use soft soap or any other water soluble solution. Never use chemicals on the canopy cover, chemicals can damage the fabric of the cover.

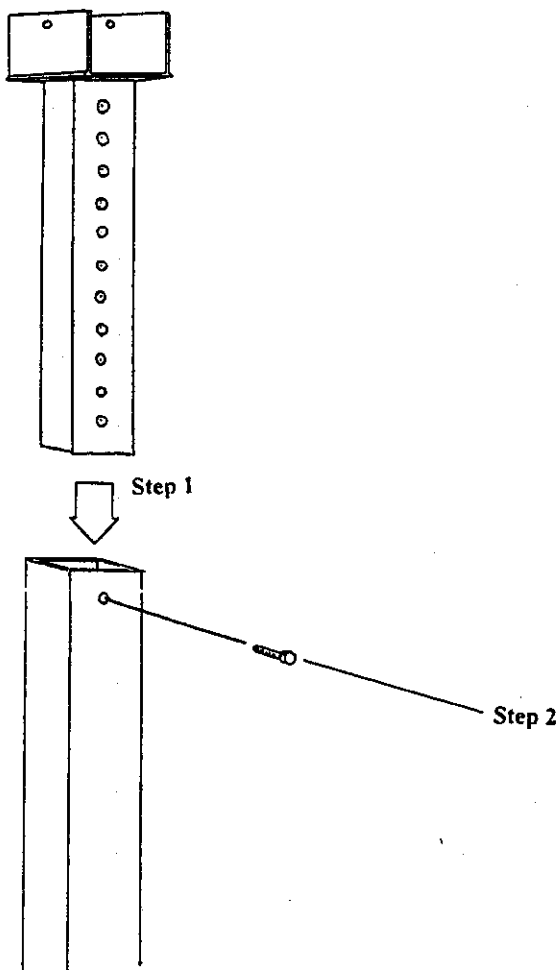
## Procedure 1

(Step 1) Large canopy- Insert the two large canopy brackets into the two up right posts on the end of the lift facing shore and the two small canopy brackets into the end of the lift facing the lake.

Small canopy- Insert the four canopy brackets into the up right posts of the lift on all four corners.

**\*\*\*When inserting the canopy bracket on the same up- right post as the winch sits on, be sure to remove the winch and the bolts. Before removing the winch lower the platform and remove the load. Now you are ready to insert the canopy brackets. Once the brackets are in and at the desired height put the bolts back through and mount the winch back on.\*\*\***

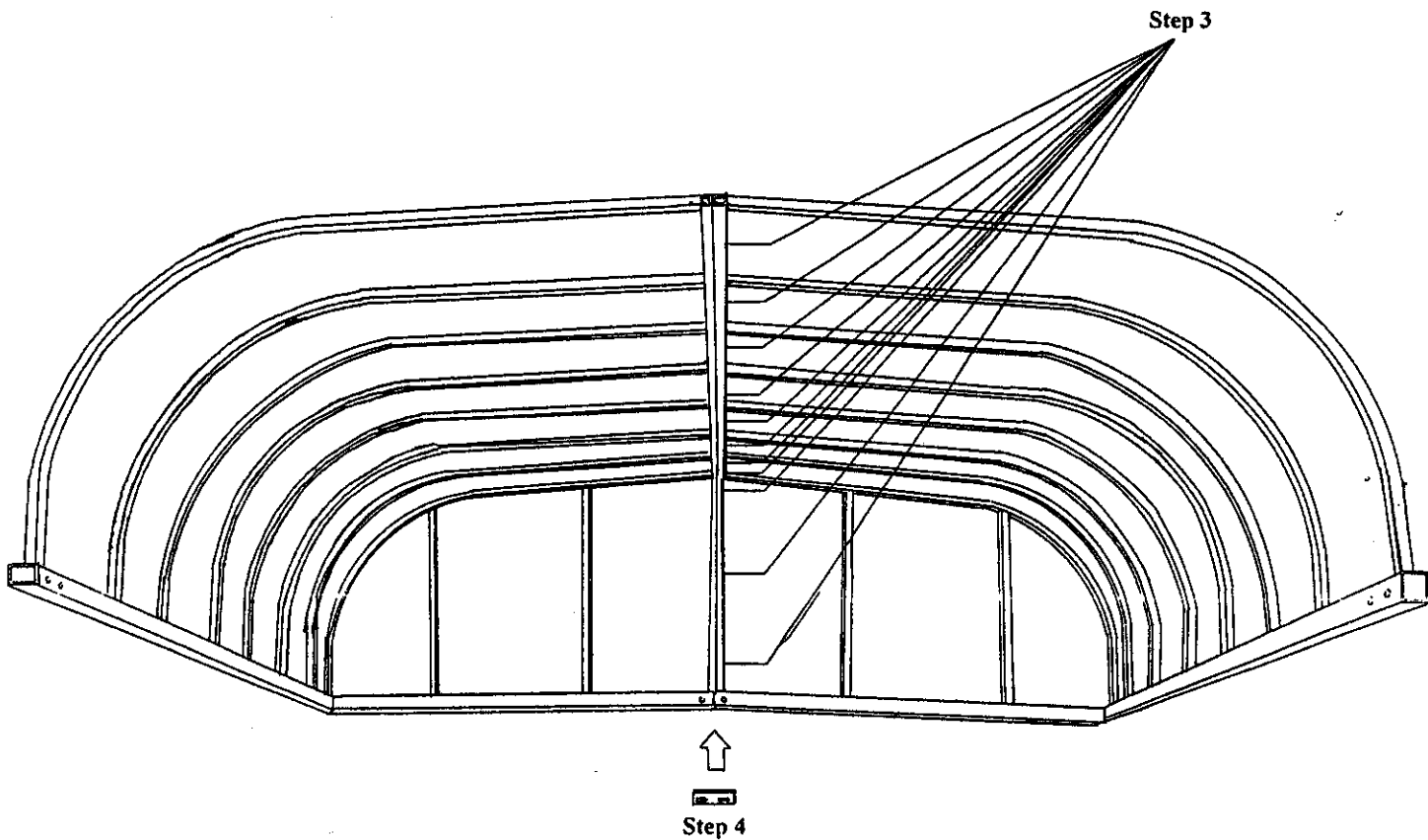
(Step 2) Adjust the bracket to the desired height so that the boat sits inside the canopy when completely raised, but is still able to fit underneath the canopy when lowered. Then use the 3/8" x 3" bolts to fasten to the desired height on the small canopy brackets and 3/8" x 4" bolts on the large canopy brackets.



## Procedure 2

(Step 3) Now place a left quarter section and a right quarter section next to each other and fasten together using  $3/8" \times 2 1/2"$  bolts as shown in the diagram. Do this to both ends.

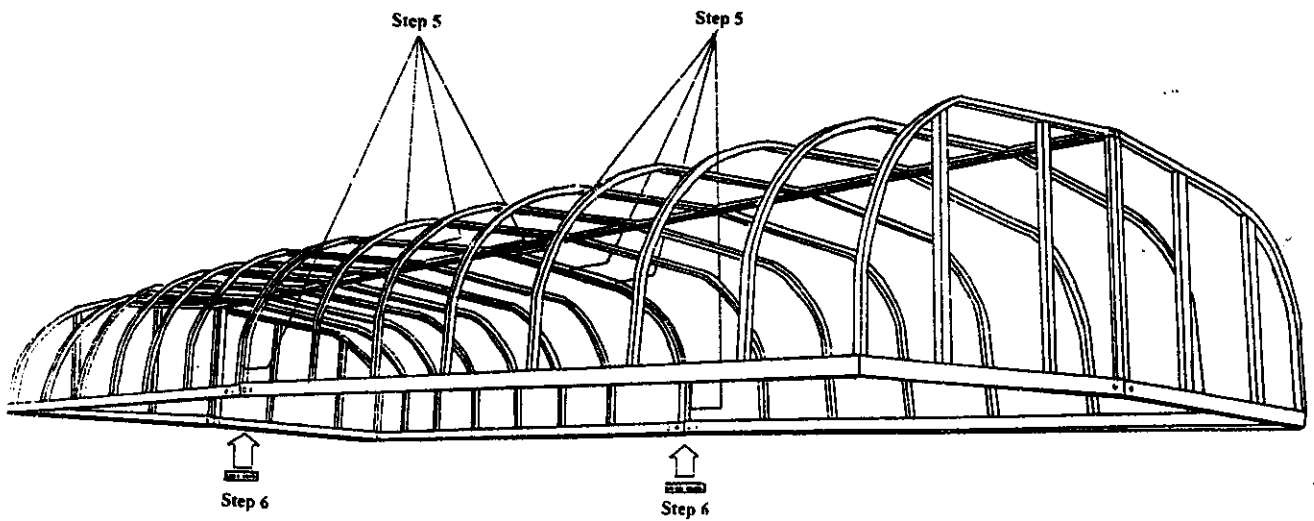
(Step 4) Using two  $3/8" \times 2 1/2"$  bolts, bolt the two holed reinforcement plates to the connection point shown in the diagram. After the two halves have been assembled, take each half and slip them into the canopy brackets. Using the  $3/8" \times 3"$  bolts, bolt the canopy halves into place on the canopy brackets.



## Procedure 3

(Step 5) Now bolt the two halves together in the middle while the canopy is on the lift using  $3/8" \times 2 1/2"$  bolts.

(Step 6) Using four  $3/8" \times 2 1/2"$  bolts, bolt the four holed reinforcement plates to the connection points as shown on the diagram. When this is done unfold the canvas cover onto the canopy frame.

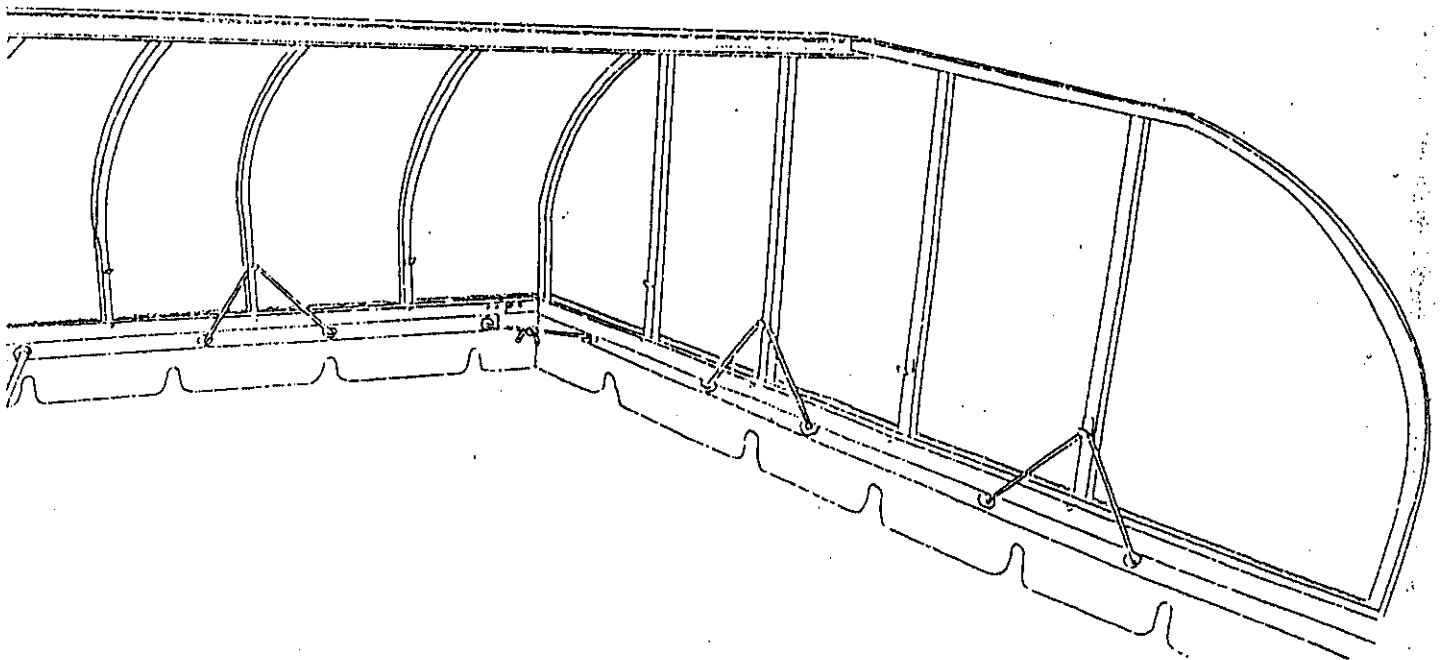
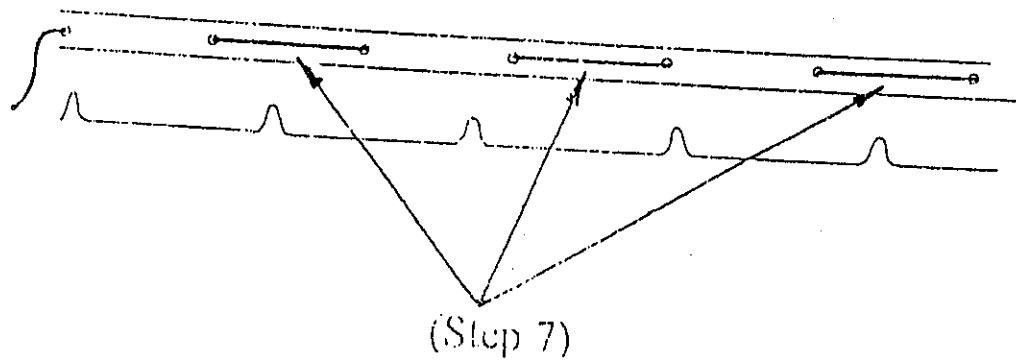


## Procedure 4

(Step 7) After the canvas has been folded out onto the canopy frame begin stringing the rubber bungy cord through the brass grommets starting from one of the corners, as shown in "figure A". When the rubber cord has been strung all the way around the canopy, making sure that the cord has been kept tight, tie the two ends together.

(Step 8) Now take the hooks, and with one end connect the rubber cord facing on the inside of the canopy and stretch it up to connect the other end, of the hook, to the aluminum rod on the canopy frame. continue this step all the way around the canopy.

**\*\*\* Use hooks inside frame in place of old "S" hooks \*\*\***



## Assessory Canopy Brace

(Step 1) To mount the canopy brace, first remove the top nut and washer of the U-bolt, as shown in figure A. Using the canopy brace end with the angled aluminum bracket, slip the angle on to the U-bolt and tighten with the nut and washer.

(Step 2) Using the canopy brace end with the cradle, slip the cradle up on to the canopy frame, as shown in figure B. Insert  $3/8"$  x  $3"$  bolt and tighten.

Figure A

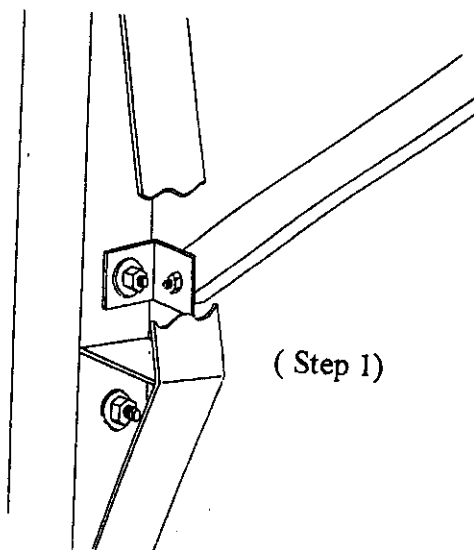
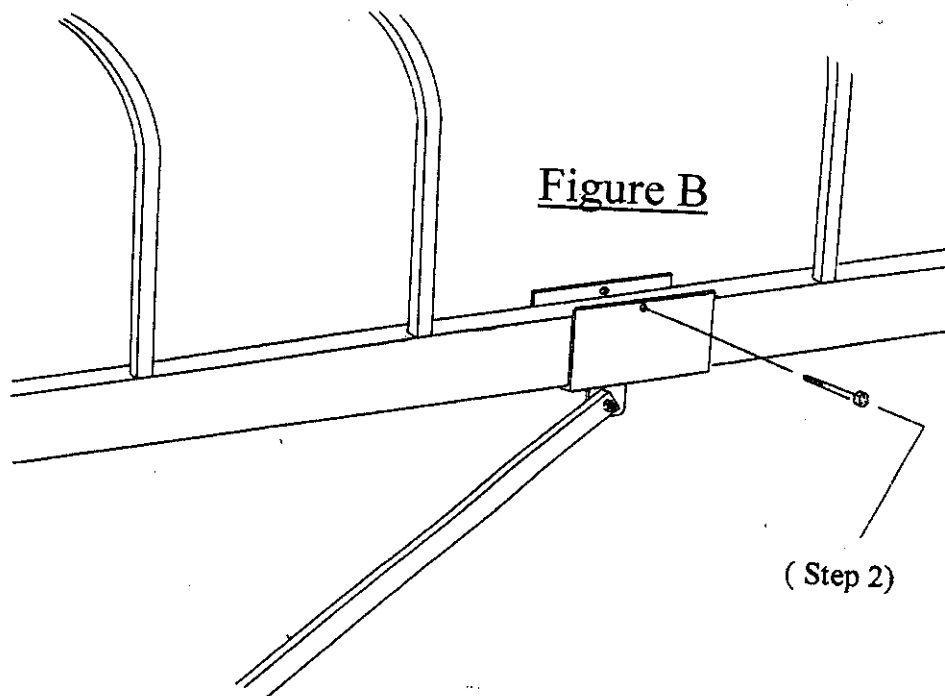


Figure B



## CARE OF YOUR VIBO VINYL CANOPY

Hose down awning regularly and allow to dry completely. Mildew will grow on any accumulated dirt or foreign materials and eventually penetrate and damage fabrics. We recommend the use of "Fantastic" or any NON-DETERGENT cleaner. Vibo will not accept responsibility for fabric damaged as a result of accumulated dirt or debris.

Keep awning underside clean by brushing with a clean household broom.

Keep all shrubs and vines away from awning as many plants contain acids that may harm fabrics.

Have small tears or punctures repaired promptly.

Do not roll or tightly fold your awning in extreme temperatures.

Do not drag your awning over abrasive surfaces.

Do not over spray with insect repellent as they may stain material.

Do not use charcoal, gas, or electric grills under canopy.

Do not store awning in high humidity areas. Be sure to leave enough room for air circulation. Do not store awnings in air tight, non-breathable plastic bags.

Do not permit leaves, twigs, or other organic debris to remain on awnings.

Vibo Marine warrants canopy covers for period of 1 year from date of purchase, to be free of defects in material and workmanship under normal use.



## Vibo Dock & Lift Product Warranty

Vibo Marine warrants all equipment purchased new by original owner, to be free of defects in the material and workmanship under normal use from the date of sale for the period of time set below.

New Vibo aluminum docks and lifts carry a 10 year conditional warranty on all aluminum, aluminum welds and workmanship.

Vibo Marine further warrants all other parts used on Vibo lifts, boat docks and accessories, purchased new by original owner, to be free from defects in the material and workmanship under normal use for a period of 24 months from the date of purchase (excluding components and options which carry their own manufacturer's warranty, wherein that warranty will apply). Excluded from this warranty are other parts that wear with normal use, such as hardware, pulleys and cables accessories. There is no other express warranty. Vibo Marine is not liable for incidental or consequential damages or injuries of any kind due to installation, removal, use, misuse, snow or ice, electrolysis, severe weather, acts of God, misapplication, or improper selection of one of our purchased or displayed products. Vibo Marine agrees to repair or replace only defective parts returned to the factory (prepaid) and deemed defective by Vibo Marine. Warranty is void when misuse or neglect is the cause.

Vibo Marine is not responsible for removal, dismantling or reinstallation cost. This warranty is void if the boat lift or dock is used in other than normal residential service, or installed in salt water.

Vibo Marine warrants canopy covers for period of 1 year from date of purchase, to be free of defects in material and workmanship under normal use. Fading of cover, misuse, snow or ice, severe weather and acts of God are excluded from the warranty.

All returns must be made to Vibo Marine within 30 days from purchase date. All returns must be in new condition and deemed in new condition by Vibo Marine.

Vibo Marine does not accept returned electrical equipment for refund or exchange. All other returnable parts or products are subject to a 15% restocking charge. Vibo Marine warranty does not cover O.E.M. manufactured products. Most manufactures have their own warranty time periods.

The cargo net accessory is NOT intended for human use. Misuse my result in injury. Stub axle only intended for moving lift NOT to hold lift & vessel weight permanently. 250 lbs. max. weight per axle.

All decking warranted from date of original purchase for 1 year  
All lift wheel kits to be free of defects in the material and workmanship under normal use for a period of 1 year from date of purchase.  
Warranty is non-transferable.

Prices and specifications subject to change without notice.